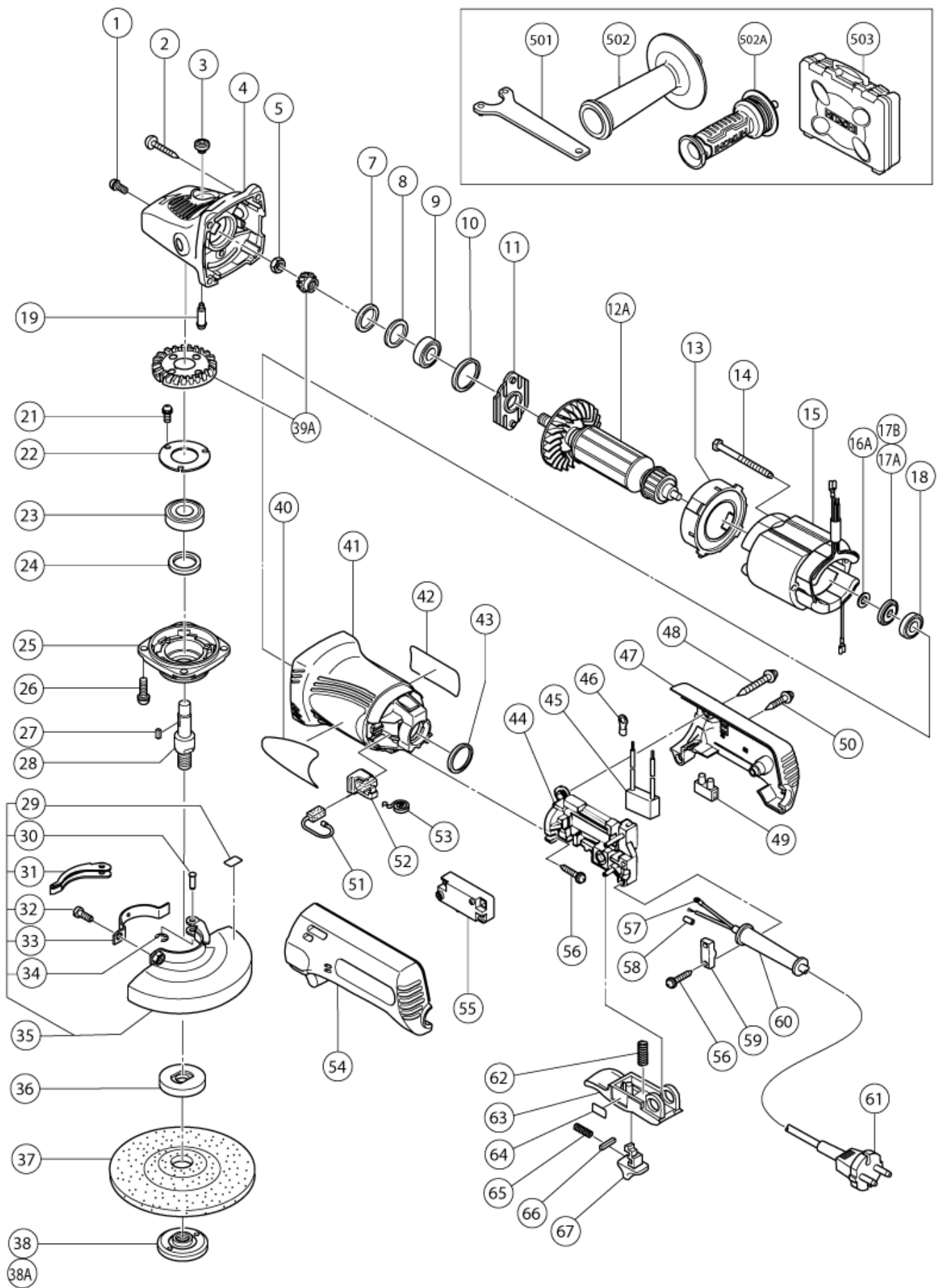


nÂ°	Artikel	Aantal gebruikt
1	303255 SEAL LOCK SCREW M4X10 (W/SP WASHER)	2
2	320523 TAPPING SCREW D5X25 BLACK	4
3	301944 PUSHING BUTTON	1
4	321737 GEAR COVER ASS'Y	1
5	949558 NUT M8 (10 PCS.)	1
7	308543 SEAL RING (A)	1
8	980866 WASHER (C)	1
9	629T12 BALL BEARING 629T12DDC3PS2-L	1
10	957754 RUBBER RING (OLD 994299)	1
11	321734 BEARING COVER	1
12A	360603F ARMATURE ASS'Y 230-240 VOLT (OLD 360619E)	1
12A	360603U ARMATURE ASS'Y 110-120 VOLT	1
13	321732 FAN GUIDE	1
14	982021 HEX. HD. TAPPING SCREW D4X70	2
15	340551C STATOR 110 VOLT	1
15	340551E STATOR 230 VOLT	1
15	340551D STATOR 120V	1
15	340551F STATOR 240V	1
16A	311737 THRUST WASHER	1
17B	315877 DUST SEAL	1
17A	311435 DUST SEAL (A)	1
18	608VVM BALL BEARING 608VVC2PS2L	1
19	301943 LOCK PIN	1
21	991207 SEAL LOCK SCREW M4X8 (W/SP WASHER)	3
22	936680 BEARING COVER (B)	1
23	6201DD BALL BEARING 6201DDUCMAV2S	1
24	308546 FELT PACKING	1
25	308545 PACKING GLAND	1
26	307046 SEAL LOCK SCREW M5X16 (W/WASHER)	4
27	944109 FEATHER KEY 3X3X8	1
28	994302 SPINDLE (B)	1
28	994301 SPINDLE (A)	1
29	311492 LABEL	1
30	311744 SET PIN	1
31	311743 LEVER	1
32	880734 MACHINE SCREW M5X25 BLACK	1
33	311491 SET PIECE (B)	1
34	874759 RETAINING RING (E-TYPE) FOR D2.5	1

nÂ°	Artikel	Aantal gebruikt
35	311742 WHEEL GUARD ASS'Y	1
36	937922P WHEEL WASHER (B) FOR D 5/8" HOLE	1
36	937817Z WHEEL WASHER	1
37	316822 D. C. WHEELS 125MM A36Q (25 PCS.)	1
38	994324 WHEEL NUT (OLD 937818Z) (NEW 337329)	1
38A	337329 WHEEL NUT M14	1
38	937923P WHEEL NUT 5/8"-11UNC	1
39A	329054 GEAR AND PINION SET (OLD 321735)	1
40	HITACHI LABEL	1
41	321731 HOUSING	1
42	NAME PLATE	1
43	321733 RUBBER RING	1
44	311738 SWITCH BOX	1
45	930039 NOISE SUPPRESSOR	1
46	311741 TERMINAL	1
47	321739 TAIL COVER (B)	1
48	303694 TAPPING SCREW D4X35 (W/FLANGE) BLACK	2
49	938307 PILLAR TERMINAL	1
50	301653 TAPPING SCREW (W/FLANGE) D4X20 (BLACK)	1
51	999088 CARBON BRUSH	1
51	999076 CARBON BRUSH (AUTO STOP TYPE) (1 PAIR)	1
52	317810 BRUSH HOLDER	2
53	308536 SPRING	2
54	321738 TAIL COVER (A)	1
55	311740 SWITCH (1P SCREW TYPE) W/O LOCK (AC AND DC)	1
55	311739 SWITCH (1P SCREW TYPE) W/O LOCK (AC)	1
56	984750 TAPPING SCREW (W/FLANGE) D4X16	3
57	980063 TERMINAL	1
58	981373 TUBE (D)	2
59	960266 CORD CLIP	1
60	953327 CORD ARMOR D8.8	1
61	500408Z CORD	1
61	500462Z CORD	1
61	500390Z CORD 5M 2 X 1.5 FOR HOL (NEW 714520)	1
61	500235Z CORD 5M 2 X 1.0 FOR EUROPE (NEW 714500)	1
61	500249Z CORD	1
61	500440Z CORD 5M 2 X 1,0 W/PLUG 13A/250V FOR GBR	1
61	500391Z CORD FOR SWISS	1

nÂ°	Artikel	Aantal gebruikt
62	983595 SPRING (OLD 961981Z)	1
63	308554 PADDLE LEVER	1
64	308557 LEVER ACTION SEAL	1
64	308558 LEVER ACTION SEAL	1
65	301631 SPRING (F)	1
66	982696 FEATHER KEY 3X3X15	1
67	308556 LOCK LEVER	1
67	308555 LOCK LEVER	1
501	938332Z WRENCH	1
502A	336865 SIDE HANDLE (VIBRATION-ABSORBING) (OLD 325496)	1
502	994322 SIDE HANDLE	1
503	325515 CASE	1
601	938317 RUBBER PAD	1
601	937825Z RUBBER PAD	1
602	937826Z WASHER NUT	1
602	938318 WASHER NUT	1
603	314062 SANDING DISCS 125MM C-P16 (10 PCS.)	1
604	314063 SANDING DISCS 125MM C-P20 (10 PCS.)	1
605	314064 SANDING DISCS 125MM C-P24 (10 PCS.)	1
606	314065 SANDING DISCS 125MM C-P30 (10 PCS.)	1
607	314066 SANDING DISCS 125MM C-P36 (10 PCS.)	1
608	314067 SANDING DISCS 125MM C-P40 (10 PCS.)	1
609	314068 SANDING DISCS 125MM C-P50 (10 PCS.)	1
610	314069 SANDING DISCS 125MM C-P60 (10 PCS.)	1
611	314070 SANDING DISCS 125MM C-P80 (10 PCS.)	1
612	314071 SANDING DISCS 125MM C-P100 (10 PCS.)	1
613	314072 SANDING DISCS 125MM C-P120 (10 PCS.)	1
614	994312 @ WHEEL WASHER	1
615	994313 WHEEL WASHER (C) FOR D22.2 HOLE	1
616	310338 SUPER WHEEL WASHER	1
617	323712 CASE	1
618	332787 CUTTING WHEEL GUARD 125 MM WITH BASE	1
619	332788 CUTTING WHEEL GUARD 125 MM W/O BASE	1



Rev.5

形名
G13SE2