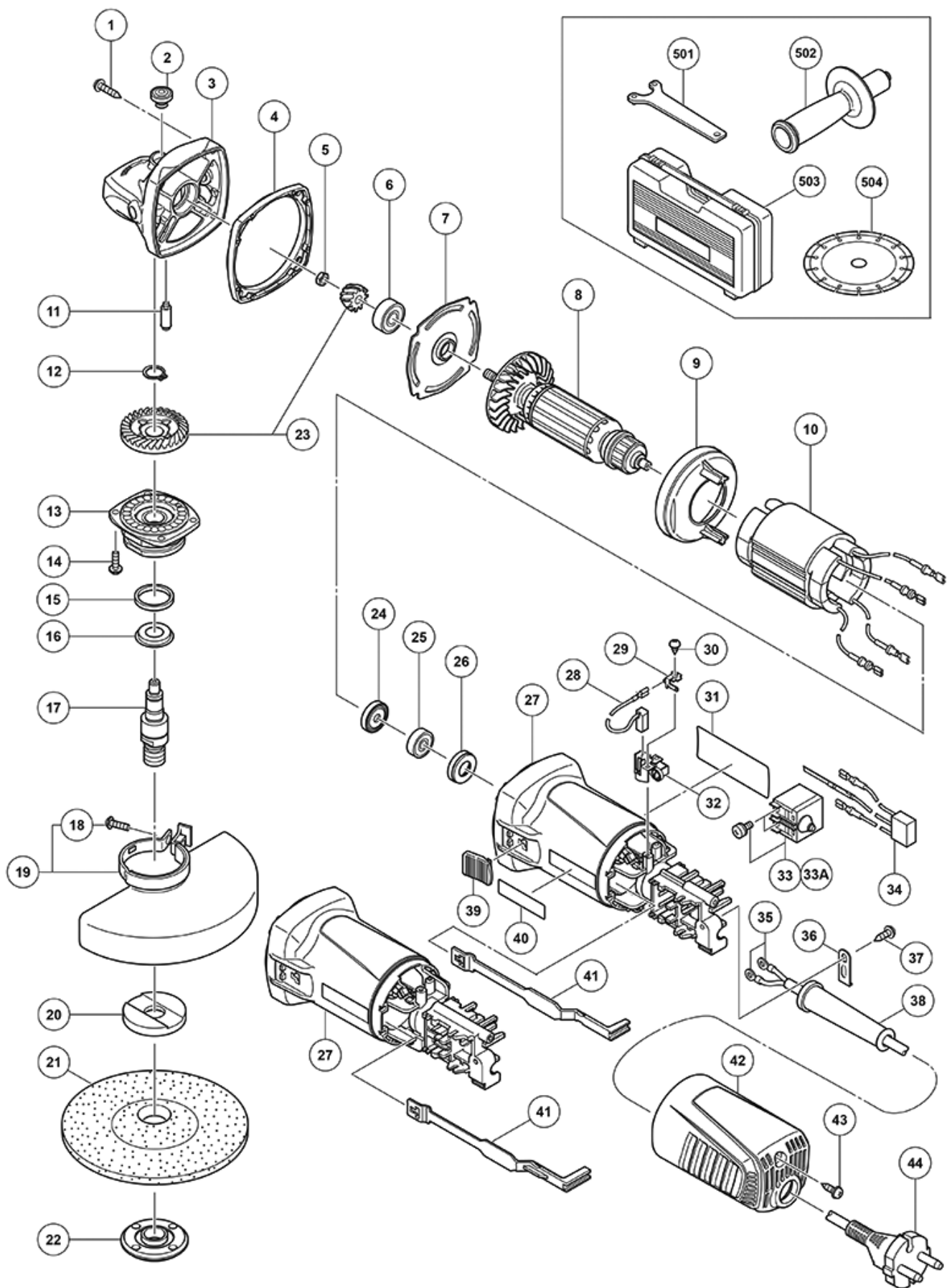


nÂ°	Artikel	Aantal gebruikt
*44	500468Z CORD	1
*42	370019 TAIL COVER NEW	1
*42	339141 TAIL COVER	1
*8	361082G ARMATURE 240 VOLT NEW	1
*44	500436Z CORD 2,5M 2 X 0.75 W/PLUG 13A/250V (NEW 500435Z)	1
*44	500409Z CORD	1
*44	500461Z CORD 3M 2 X 1,0 H05VV-F W/PLUG 16A CEE FORM 2P+E FOR GBR	1
*44	500439Z CORD FOR AUS (OLD 500226Z/500411Z)	1
*41	338855 SLIDE BAR NEW DEC	1
*44	500247Z CORD (NEW 714500)	1
*10	340997D STATOR 220 VOLT NEW	1
*8	361082F ARMATURE 230 VOLT NEW	1
*8	361082E ARMATURE 220 VOLT NEW	1
*10	340997E STATOR 230-240 VOLT NEW	1
*27	370018 HOUSING NEW	1
*33	339149	1
*27	339140 HOUSING	1
*41	370023 SLIDE BAR NEW	1
1	373174 MACHINE SCREW (W/FLANGE) D4X28	4
2	301944 PUSHING BUTTON	1
3	338332 GEAR COVER ASS'Y NEW	1
4	373172 SPACER	1
5	309191 SPECIAL NUT M6	1
6	338337 BALL BEARING 608S NEW DEC	1
7	338850 BEARING HOLDER NEW	1
9	338853 FAN GUIDE NEW	1
11	301943 LOCK PIN	1
12	316487 RETAINING RING FOR D11 SHAFT	1
13	338849	1
14	328628 SEAL LOCK SCREW M4X12 (W/WASHER)	4
15	373384 FELT PACKING NEW	1
16	373383 FRINGER NEW	1
17	373292 SPINDLE NEW	1
18	308386 MACHINE SCREW M5X16	1
19	338845 WHEEL GUARD ASS'Y NEW SEP	1
20	937817Z WHEEL WASHER	1
22	339579 WHEEL NUT M14 NEW	1
23	339265 GEAR AND PINION SET	1

nÂ°	Artikel	Aantal gebruikt
24	321722 DUST SEAL	1
25	339145 BALL BEARING 626ZZ NEW DEC	1
26	309929 RUBBER BUSHING	1
28	999067 CARBON BRUSH (1 PAIR)	2
29	339185 TAB TERMINAL NEW	2
30	328210 TAPPING SCREW D3X8	4
32	333844 BRUSH HOLDER	2
33A	374280 PUSHING BUTTON SWITCH 220V-240V (OLD 370015)	1
33A	374279 PUSHING BUTTON SWITCH 100-127 VOLT (OLD 373299)	1
34	373290 NOISE SUPPRESSOR NEW	1
35	980063 TERMINAL	2
36	338334 CORD CLIP NEW	1
37	305720 TAPPING SCREW D4X12 (W/FLANGE)	1
38	953327 CORD ARMOR D8.8	1
39	338854 SLIDE SWITCH KNOB NEW DEC	1
40	BRAND LABEL	1
43	305812 TAPPING SCREW (W/FLANGE) D4X16 (BLACK)	1
501	938332Z WRENCH	1
502	318312 SIDE HANDLE	1
503	339263 PLASTIC CARRYING CASE NEW OCT	1



Rev.2
8.3.2019

MODEL
G13SN2